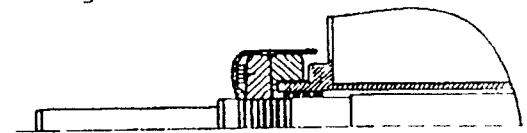
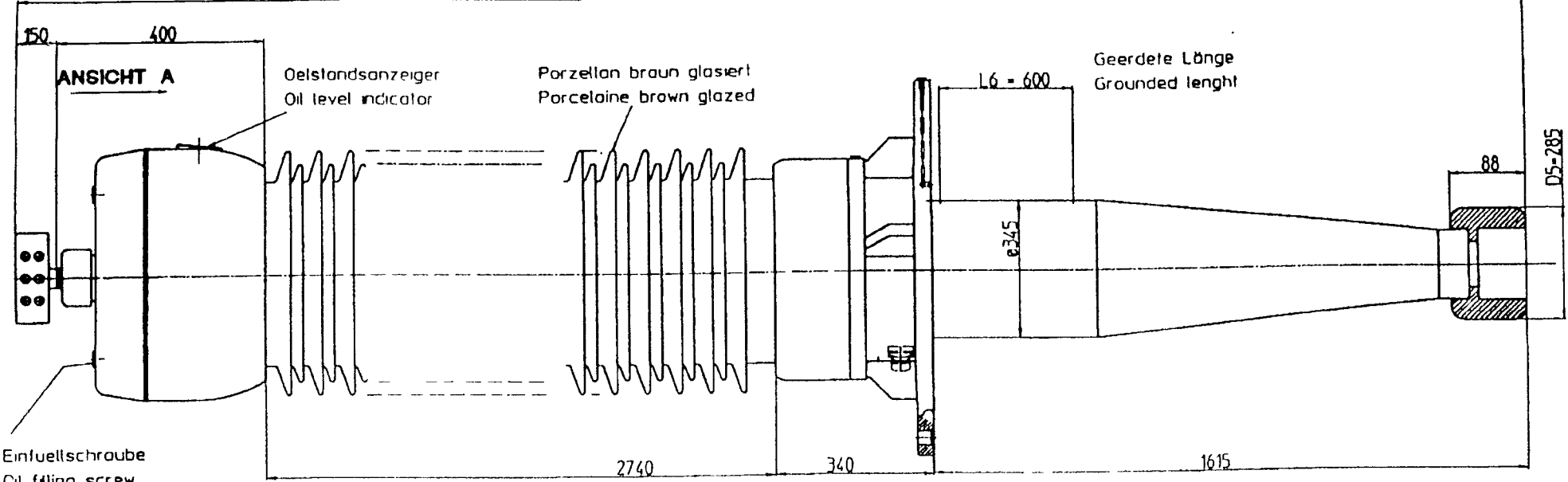
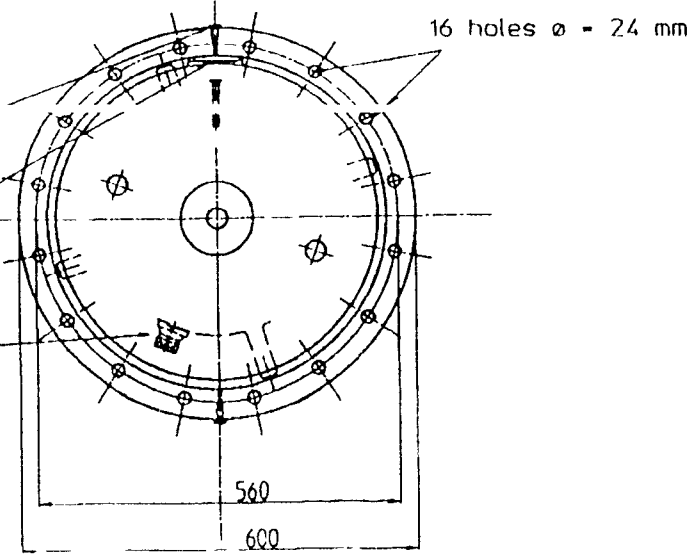


5245



ANSICHT A



Trafoentlueftung M12/Air bullet screw

Delstandsanzeiger/Oil level indicator

Messanschluss/Measuring tap

Maximum system voltage $U_n = 362kV$
 Rated maximum phase-to-earth voltage $U_y = 220kV$
 Rated lightning impulse withstand voltage $U_{IL} = 1300kV$
 Rated power frequency withstand voltage $U_p = 570kV$
 Minimum creepage distance $L_{ks} = 8600mm$
 Weight 1150kg

Gezeichnet E. K.	Approved	Hersteller Eichung
Geprüft K.		Bestandteil 3107.95 mm
1. Order		Gezeichnet
		Typ
		<p>RTXF 362-1300/2500</p> <p>HLJM137213</p>

unlabeled name change report... 056